



F940

HARDWARE MANUAL

F940GOT-SWD-E/LWD-E

[Connection System Manual]

F940GOT-SWD-E/LWD-E

HARDWARE MANUAL (Connection System Manual)

Manual number : JY992D79201
Manual revision : A
Date : March 1999

Guidelines for the safety of the user and protection of the F940GOT-SWD-E/LWD-E

This manual provides information for the installation and use of the Graphic Operation Terminal F940GOT. The manual has been written to be used by trained and competent personnel. The definition of such a person or persons is as follows;

- a) Any engineer who is responsible for the planning, design and construction of automatic equipment using the product associated with this manual should be of a competent nature, (trained and qualified to the local and national standards required to fulfill that role). These engineers should be fully aware of safety with regards to automated equipment.
- b) Any commissioning or service engineer must be of a competent nature, trained and qualified to the local and national standards required to fulfill that job. These engineers should also be trained in the use and maintenance of the completed product. This includes being completely familiar with all associated documentation for the said product. All maintenance should be carried out in accordance with established safety practices.
- c) All operators of the compliance product should be trained to use that product in a safe and coordinated manner in compliance to established safety practices. The operators should also be familiar with all documentation which is connected with the actual operation of the completed equipment.

Note: The term 'completed equipment' refers to a third party constructed device which contains or uses the product associated with this manual.

Note's on the symbology used in this manual

At various times through out this manual certain symbols will be used to highlight points of information which are intended to ensure the users personal safety and protect the integrity of the equipment. Whenever any of the following symbols are encountered, its associated note must be read and understood. Each of the symbols used will now be listed with a brief description of its meaning.

Hardware warnings



1) Indicates that the identified danger **WILL** cause physical and property damage.



2) Indicates that the identified danger **POSSIBLY** cause physical and property damage.



3) Indicates a point of further interest or further explanation.

Software warnings



1) Indicates special care must be taken when using this element of software.



2) Indicates a special point of which the user of the associate software element should be aware.



3) Indicates a point of interest or further explanation.

MEMO

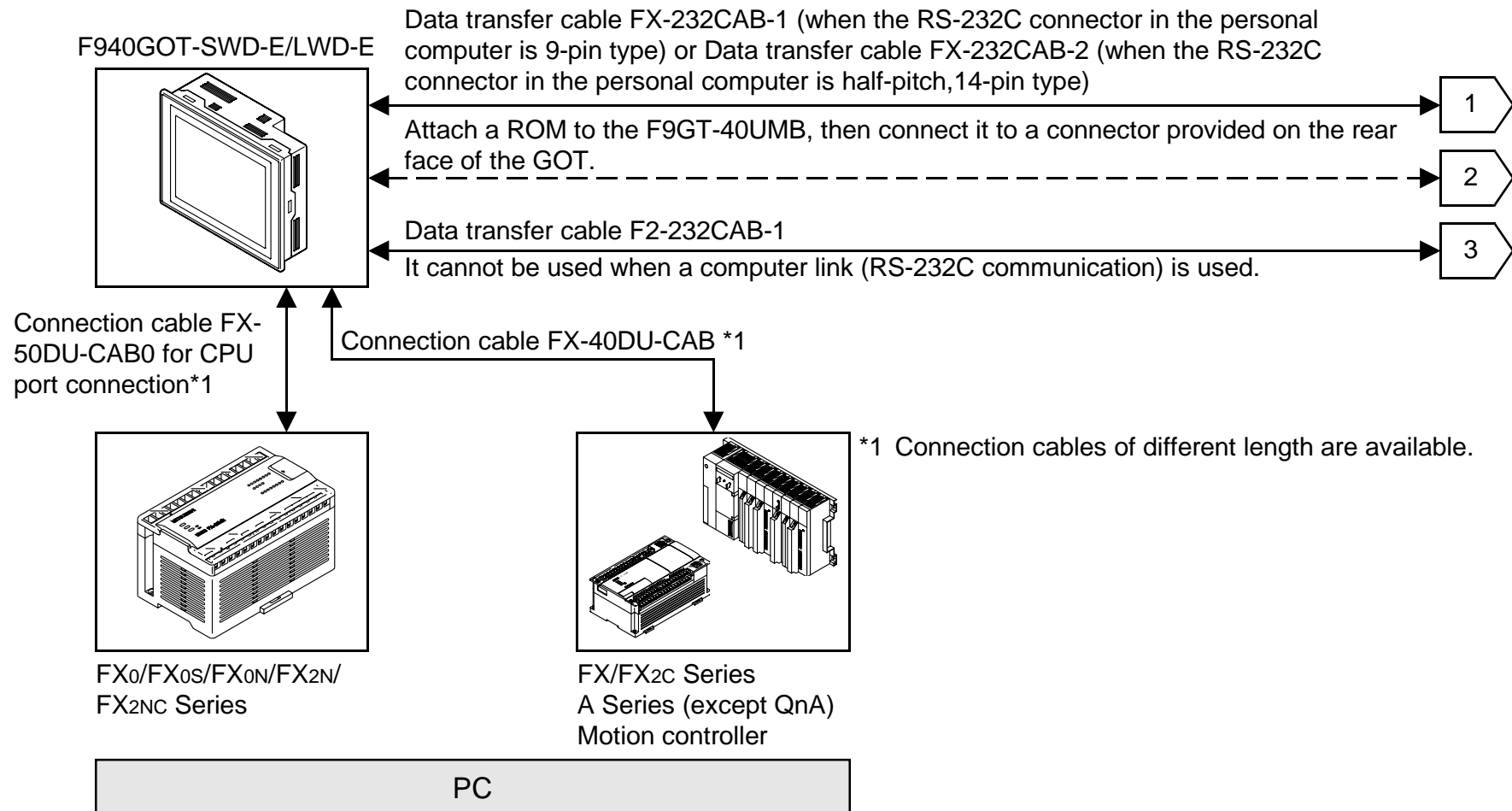
Table of Contents

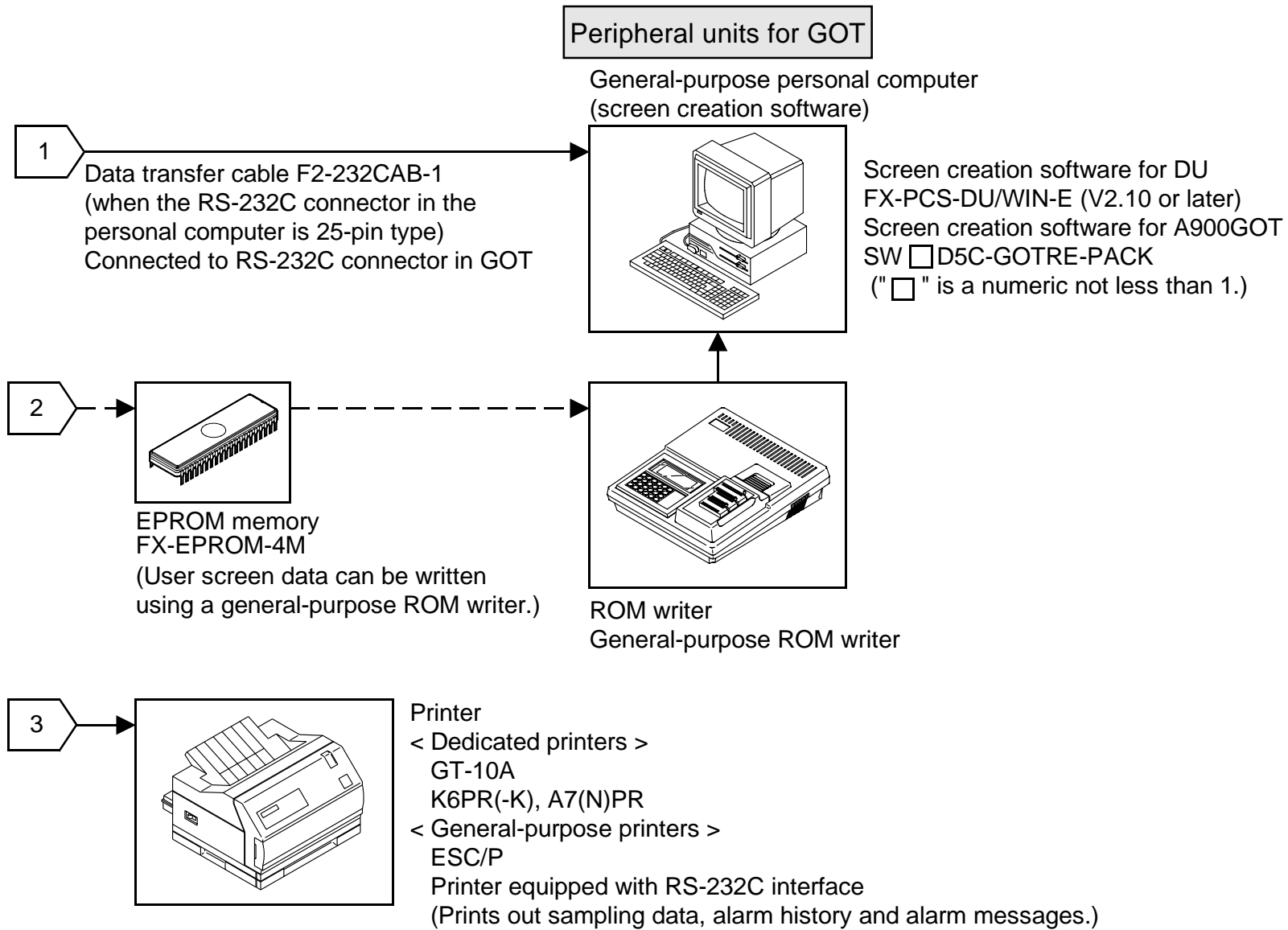
1.	System configuration.....	1-1
1.1	When the GOT is directly connected to the PLC	1-1
1.2	When built-in two-port interface function is used	1-3
2.	Connection to personal computer	2-1
2.1	Pin assignment and connection diagram of transfer cables	2-2
3.	CPU port connection	3-1
3.1	Connection to FX/A Series.....	3-1
3.2	Connection diagram.....	3-3
3.3	Connection of two or more GOT units	3-4
4.	Computer link port connection (MELSEC A Series).....	4-1
4.1	Connection diagram.....	4-2
5.	Connection to SYSMAC C Series.....	5-1
5.1	Connection diagram.....	5-2
6.	Connection to FLEX-PC N Series.....	6-1
6.1	Connection diagram.....	6-2
7.	Connection by general-purpose communication.....	7-1
7.1	Outline.....	7-1
7.2	Connection diagram.....	7-3
7.3	Communication setting	7-4

1. System configuration

The system configuration to use the GOT is described below.

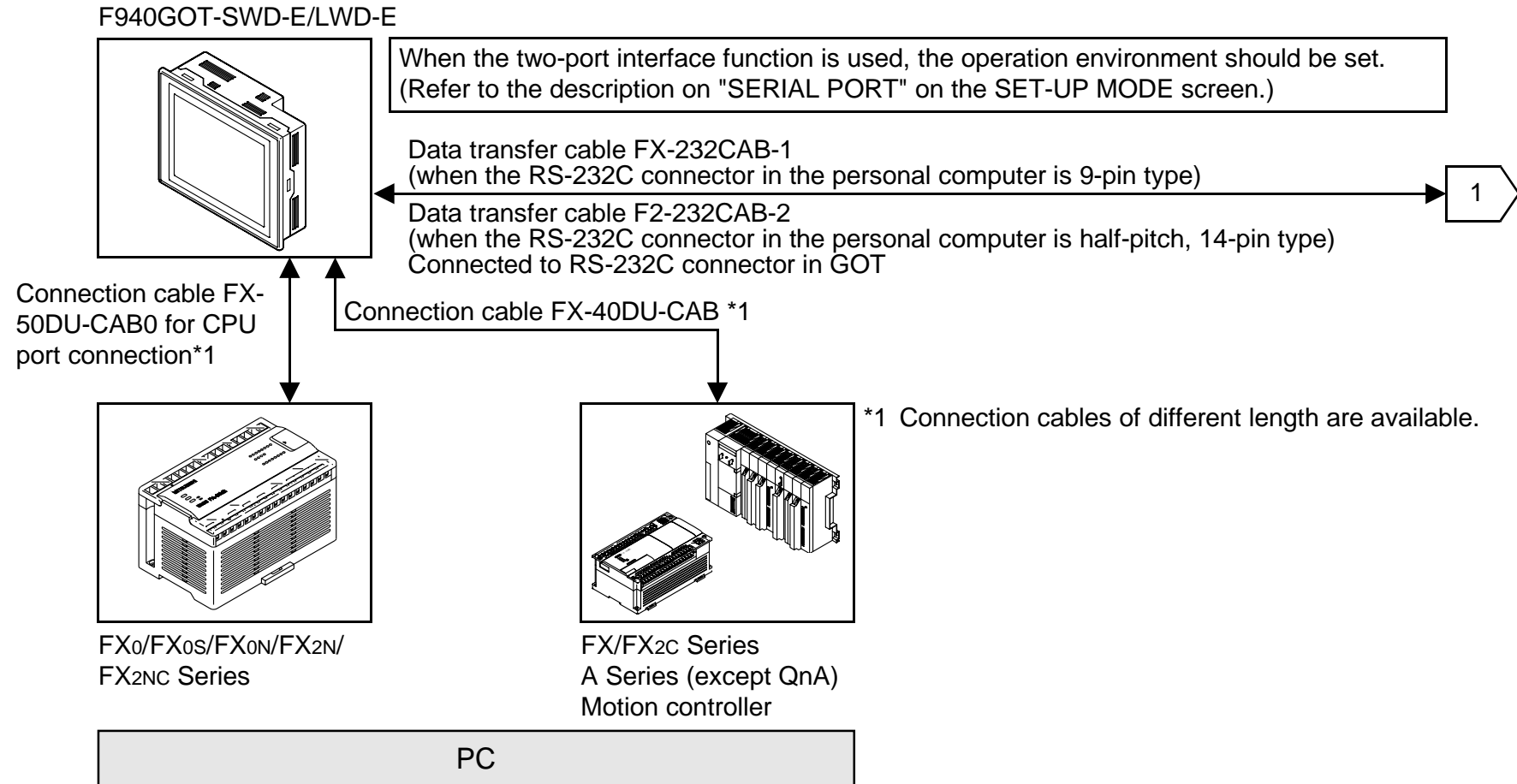
1.1 When the GOT is directly connected to the PLC (When the GOT is connected via a computer link unit, refer to Section 2.)

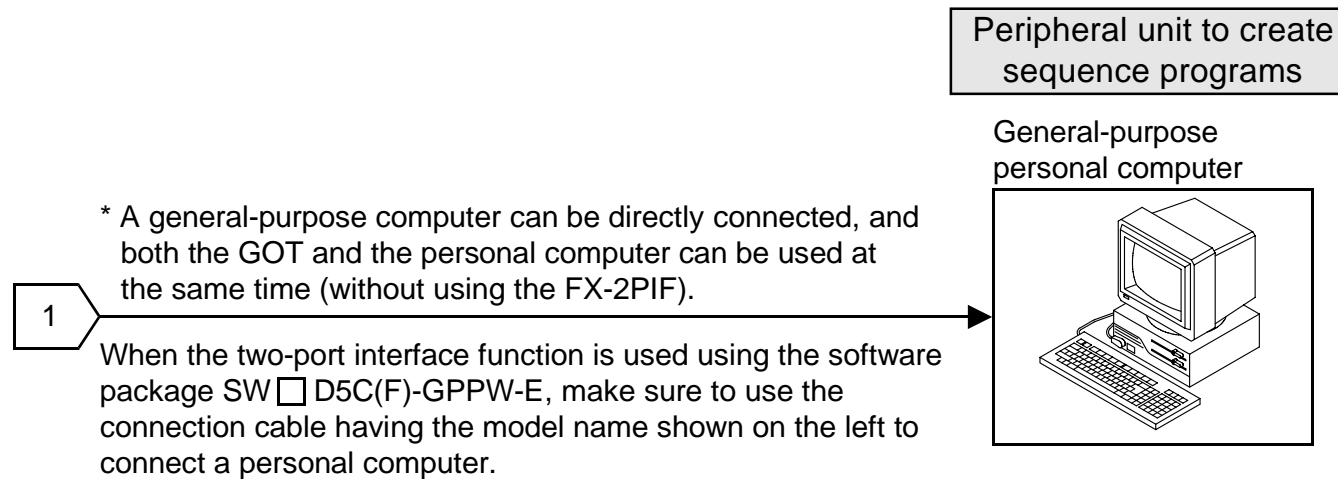




The figure below shows connection to peripheral units used to create sequence programs.

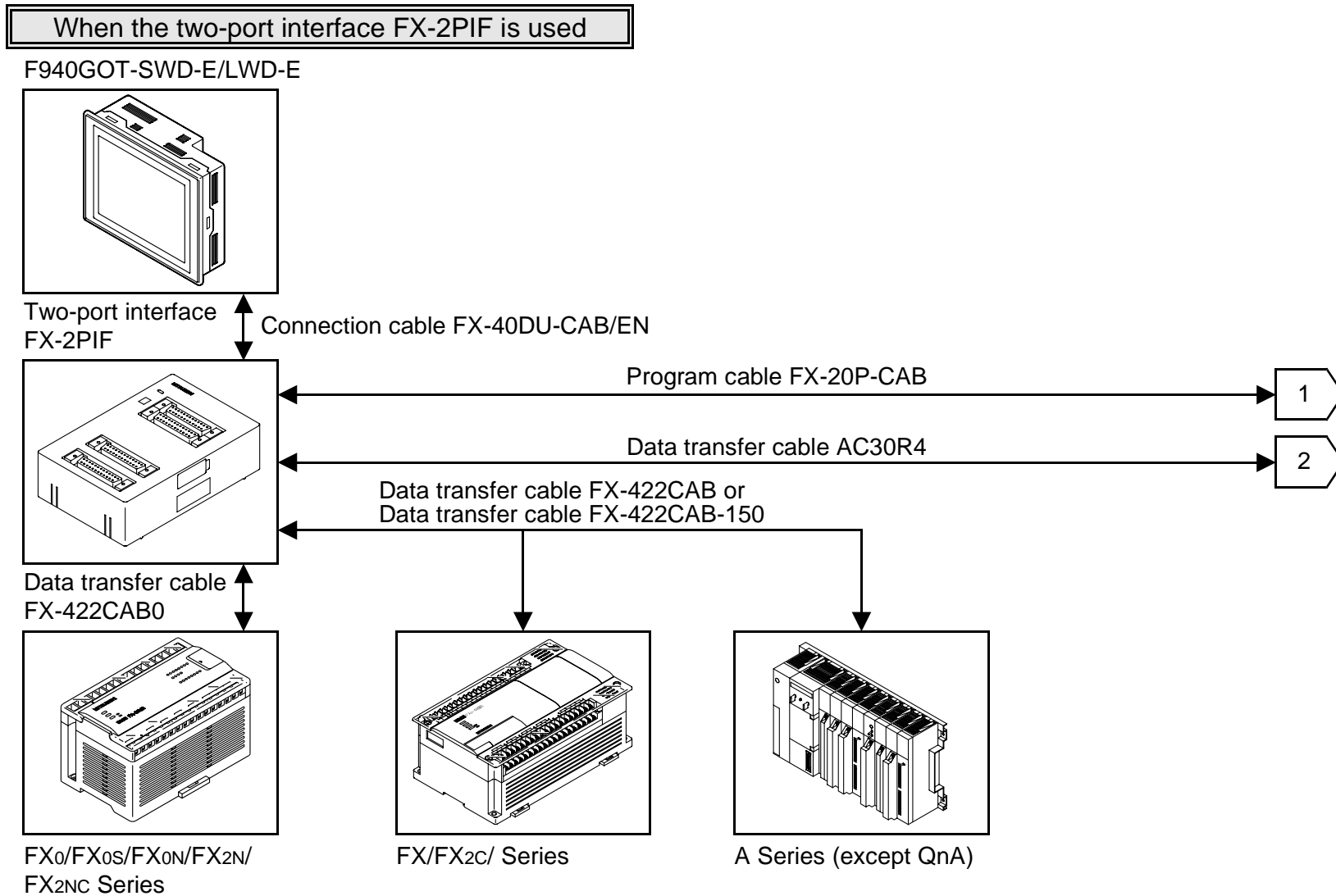
1.2 When built-in two-port interface function is used

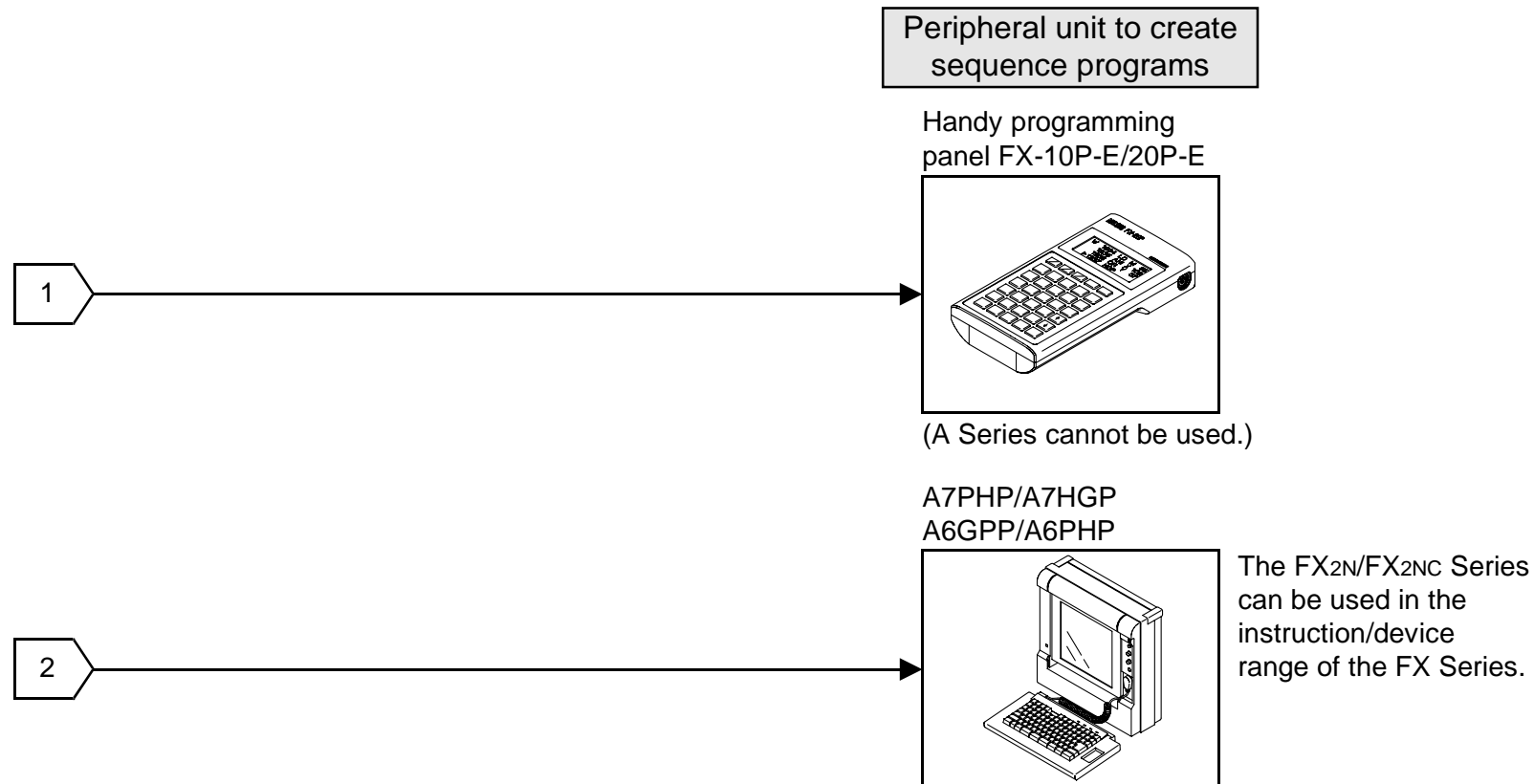


**Note:**

This two-port interface function is effective in CPU port connection (via the RS-422). This function is not available in computer link connection (via the RS-422 or the RS-232C) and CPU port connection (via the RS-232C).

And even in CPU port connection (via the RS-422), this function is not available when two or more GOT units are connected.





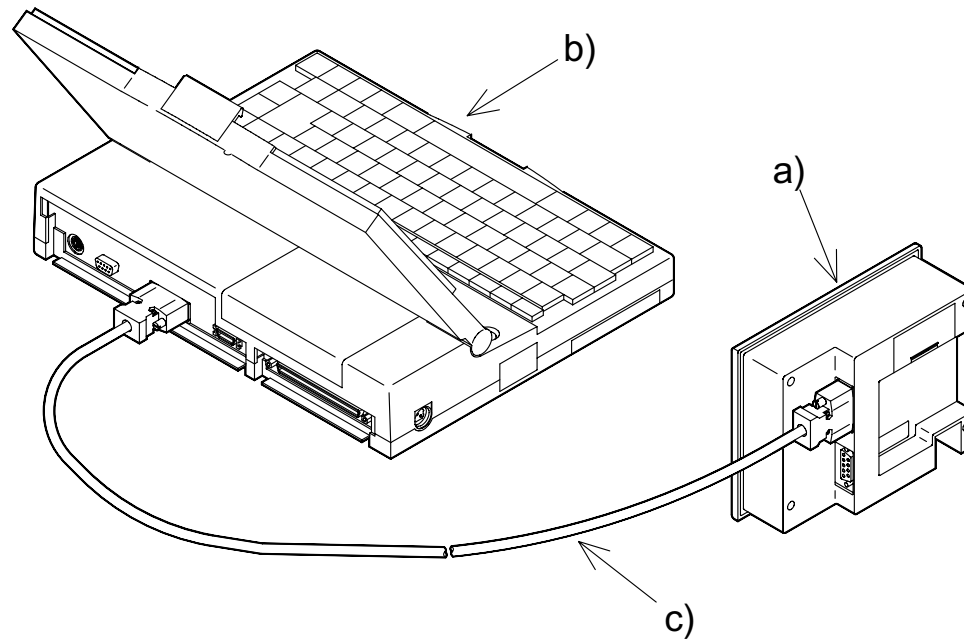
Note:

The two-port interface FX-2PIF is available in CPU port connection (via the RS-422). This interface is not available in computer link connection (via the RS-422 or the RS-232C) and CPU port connection (via the RS-232C).

And even in CPU port connection (via the RS-422), this interface is not available when two or more GOT units are connected.

2. Connection to personal computer

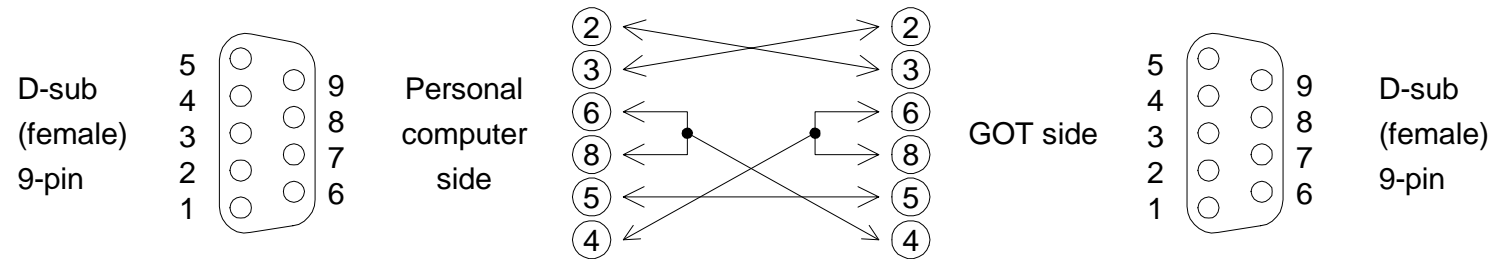
Use the following cable to connect a personal computer.



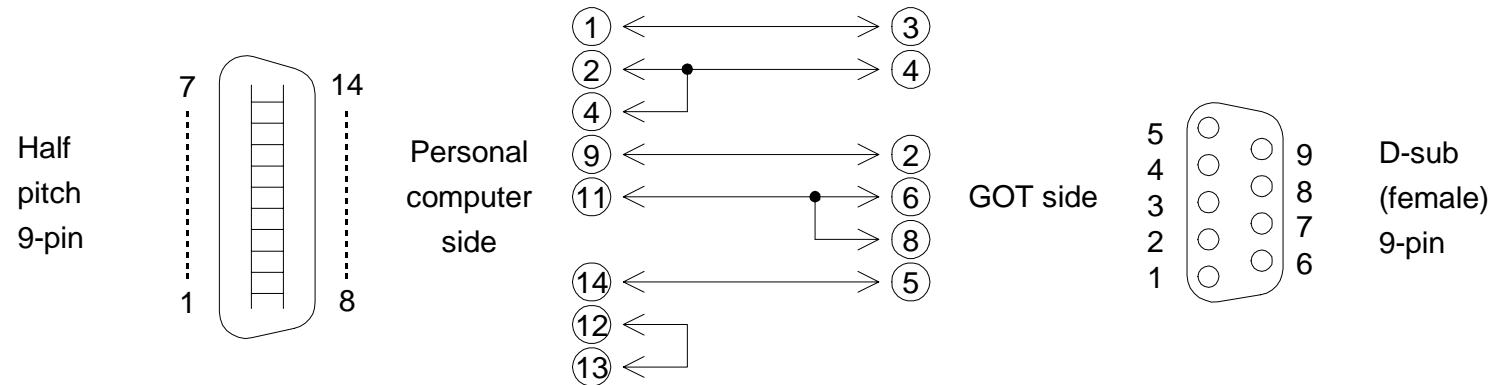
- a) F940GOT
- b) Personal computer
- c) FX-232CAB-1, FX-232CAB-2 or F2-232CAB-1

2.1 Pin assignment and connection diagram of transfer cables

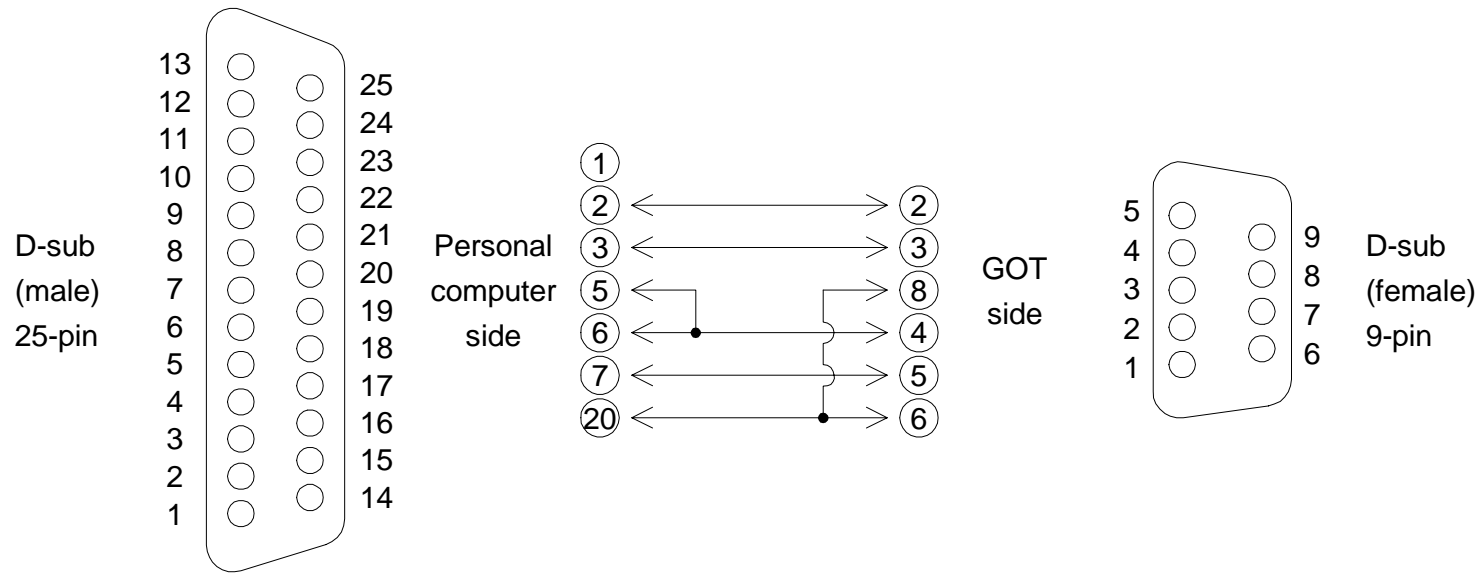
- Transfer cable FX-232CAB-1



- Transfer cable FX-232CAB-2



- Transfer cable F2-232CAB-1



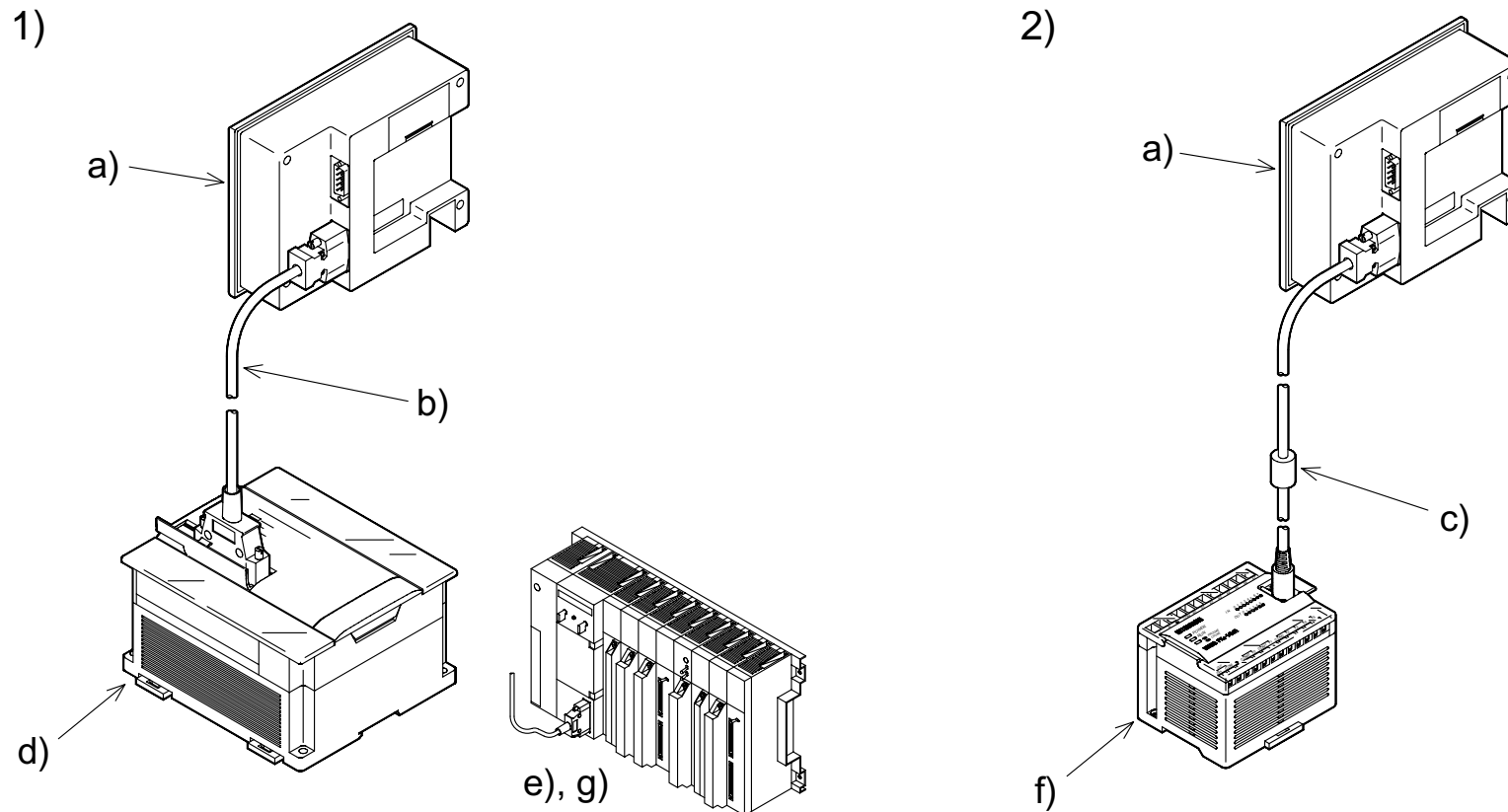
MEMO

3. CPU port connection

Use either of the following cables to connect the PLC directly.

3.1 Connection to FX/A Series

- 1) When connecting the FX/FX2c/A Series
- 2) When connecting the FX0/FX0S/FX0N/FX2N/FX2NC Series



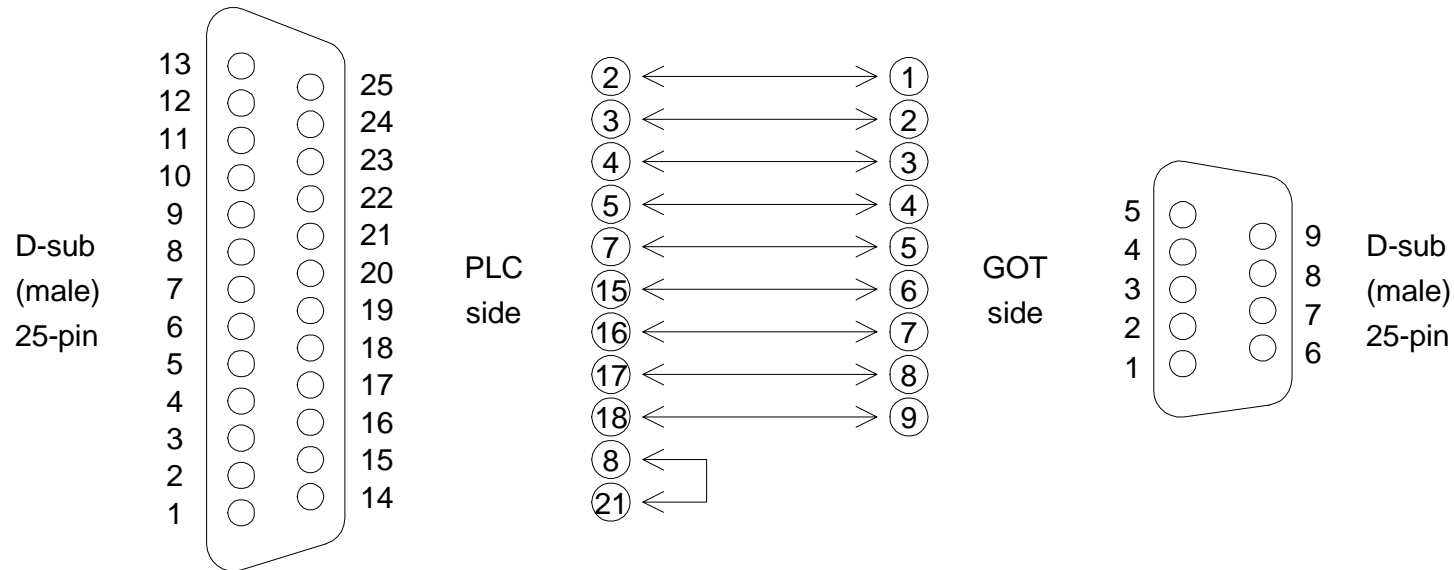
* When the screen mode is selected while a cable is not connected, a communication error occurs.

- a) F940GOT
- b) FX-40DU-CAB, FX-40DU-CAB-10M or FX-50DU-CABL
- c) FX-50DU-CAB0, FX-50DU-CAB0-1M, FX-50DU-CAB0-10M,
FX-50DU-CAB0-20M, FX-50DU-CAB0-30M or FX-50DU-CAB0L
- d) FX/FX2c Series PLC
- e) A Series PLC
AnN, AnA, AnS, AnSJ, AnSH, A1SJH, A2C, A2CJ, A0J2H, AnU, AnUS, A2USH or A1FX
CPU
- f) FX0/FX0s/FX0N/FX2N/FX2NC Series PLC
- g) Motion controller
A171SCPU-S3, A171SHCPU, A172SHCPU or A272UHCPU

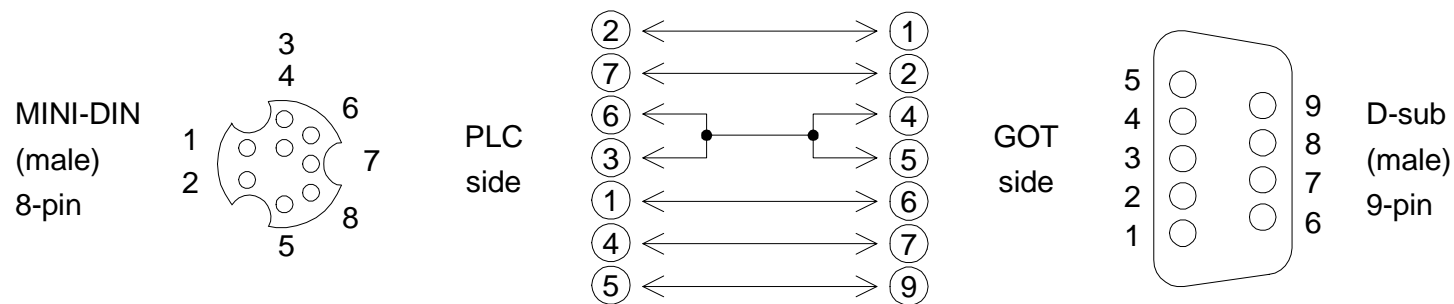
3.2 Connection diagram

Pin assignment and connection diagram of connection cables (The connection cables are offered as options.)

- Connection cable FX-40DU-CAB (L, -10M) or FX-50DU-CABL



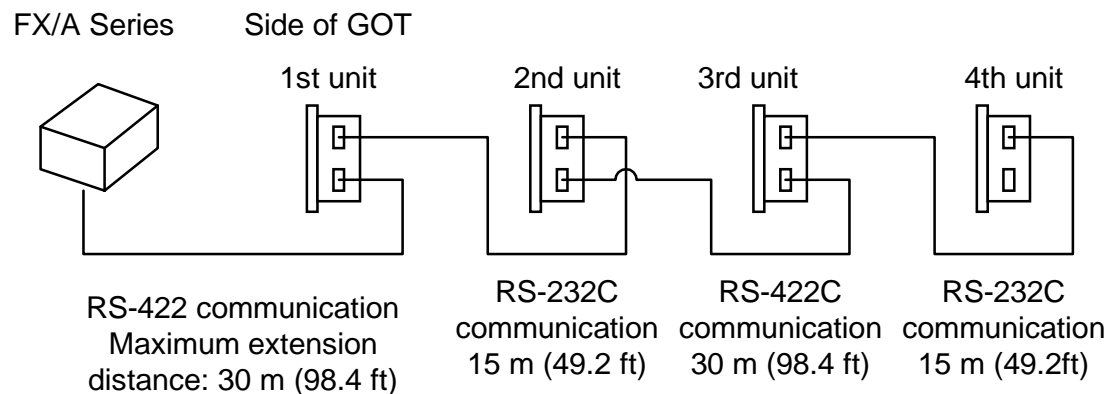
- Connection cable FX-50DU-CAB0 (L, -1M, -10M, -20M, -30M)



3.3 Connection of two or more GOT units

- When the CPU in the FX/A Series PLC is directly connected, up to four GOT units can be connected to one PLC (1-to-N connection).
As the connection type, select "CPU PORT (RS232C)" or "CPU PORT (RS422)" in "CONNECTION" on the PLC TYPE screen.

System configuration



Note:

While the GOT display is used, peripheral units of the GOT and peripheral units used to create sequence programs cannot be used except when the following system configuration is realized using the FX_{2N}-422-BD in the FX_{2N} Series. Cables to connect such peripheral units should be disconnected while the GOT display is used.

Connection cable examples:

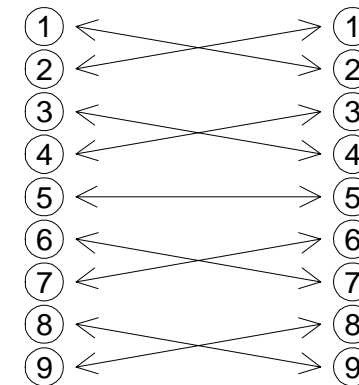
1st GOT: FX-50DU-CAB0
(equivalent to connection cable for PLC)

2nd GOT: FX-232CAB-1

3rd GOT: Cable created by user
(Refer to the connection diagram.)

4th GOT: FX-232CAB-1

Connection diagram



Communication speed: The communication speed with the PLC becomes slower as the number of connected GOT units becomes larger.

When the speed in the case one GOT unit is connected is regarded as "1",

Speed in 1st unit x 2 = Speed in 2nd unit (1/2 of speed in 1st unit)

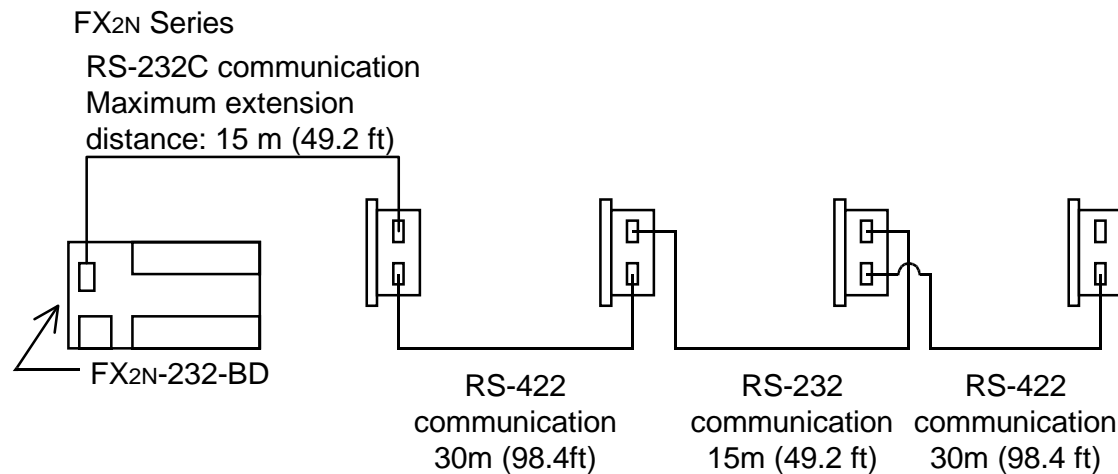
Speed in 2nd unit x 2 = Speed in 3rd unit (1/4 of speed in 1st unit)

Speed in 3rd unit x 2 = Speed in 4th unit (1/8 of speed in 1st unit)

- In this case, peripheral units used to create sequence programs can be connected using programming connectors in the FX_{2N} unit.

- In the case of the FX₂N Series, communication can be performed by CPU port connection (RS-232C communication) using the FX₂N-232-BD.
In this case also, In the case of the FX₂N Series, communication can be performed by CPU port connection (RS-232C communication) using the FX₂N-232-BD.
In this case also, up to four GOT units can be connected to one PLC (1-to-N connection).
Up to four GOT units can be connected to one PLC (1-to-N connection).
To connect peripheral units used to create sequence programs, use programming connectors in the FX₂N main unit.

System configuration



Connection cable examples:

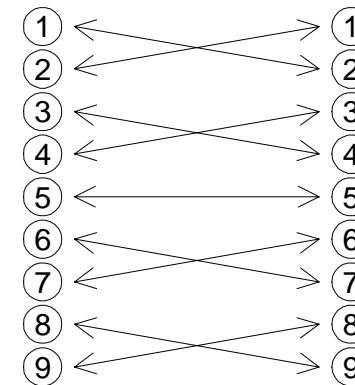
1st GOT: FX-232CAB-1

2nd GOT: Cable created by user
(Refer to the connection diagram.)

3rd GOT: FX-232CAB-1

4th GOT: Cable created by user
(Refer to the connection diagram.)

Connection diagram



Communication speed: The communication speed with the PLC becomes slower as the number of connected GOT units becomes larger.

When the speed in the case one GOT unit is connected is regarded as "1",

Speed in 1st unit x 2 = Speed in 2nd unit (1/2 of speed in 1st unit)

Speed in 2nd unit x 2 = Speed in 3rd unit (1/4 of speed in 1st unit)

Speed in 3rd unit x 2 = Speed in 4th unit (1/8 of speed in 1st unit)

MEMO

4. Computer link port connection (MELSEC A Series)

The GOT can be connected to the MELSEC A Series via a computer link unit as shown below.

- Applicable PLC units and computer link units

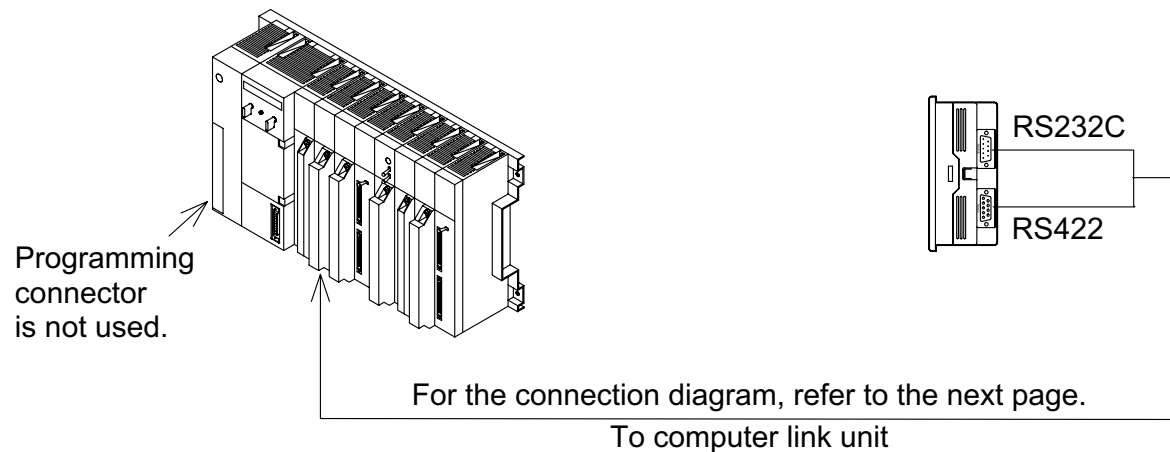
< A Series >

AJ71UC24 A1SJ71UC24-R2/R4/PRF A1SJ71C24-R2/R4/PRF

A1SCPU24-R2 A2CCPUC24 (PRF)

For the communication setting for the computer link unit, refer to the F940GOT Operation Manual offered separately.

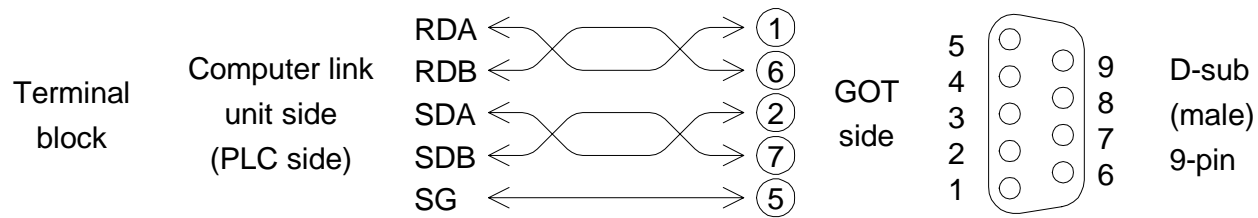
- System configuration



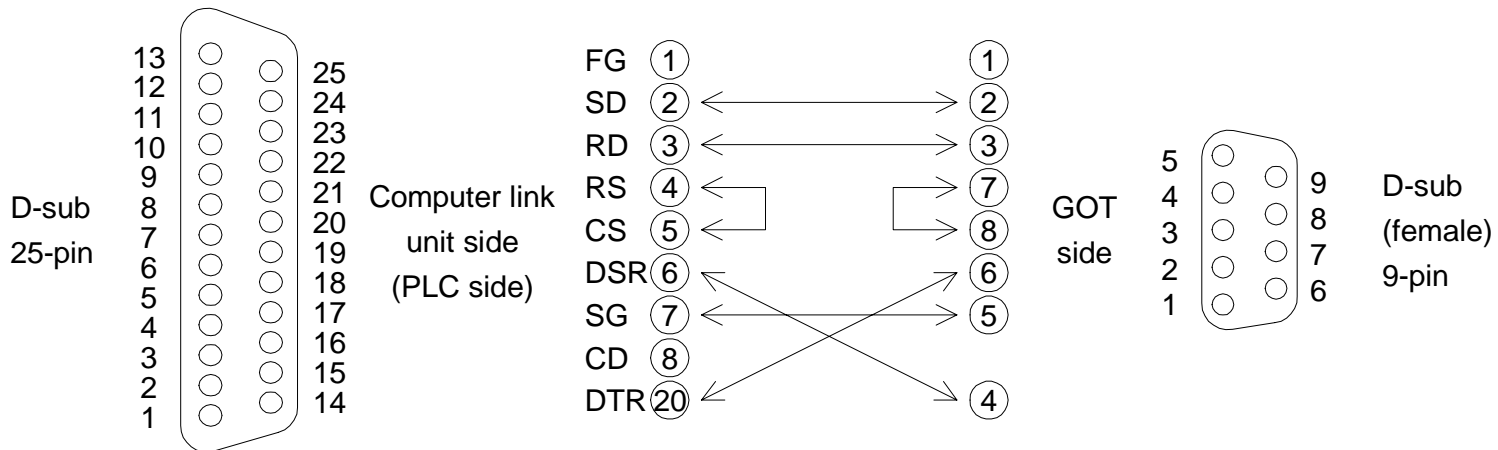
4.1 Connection diagram

- Connect the GOT to the computer link unit (PLC) as shown below.

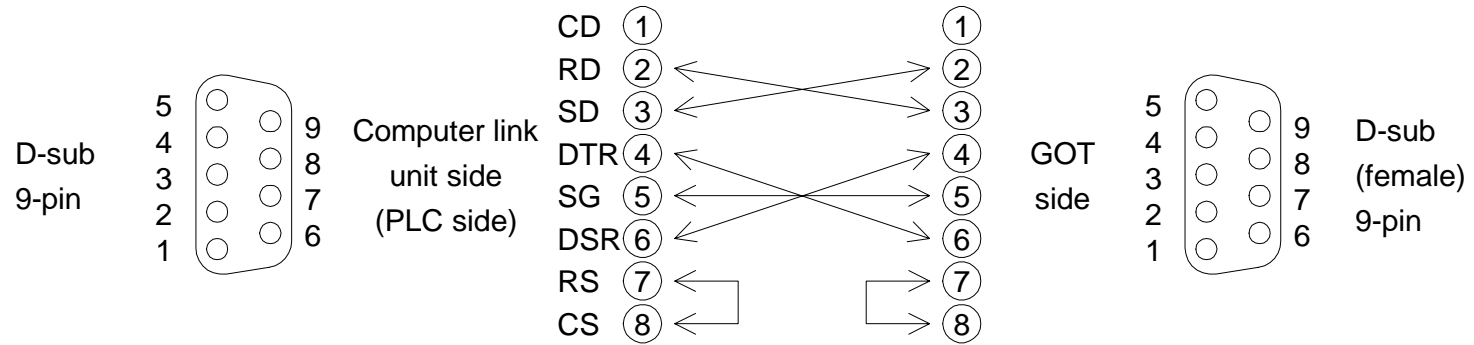
< For RS-422 communication >



< For RS-232C communication > The connection cable F2-232CAB is also available.



< For RS-232C communication >



MEMO

5. Connection to SYSMAC C Series

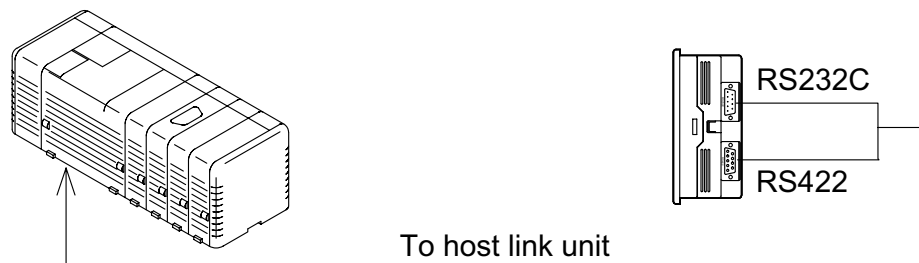
The GOT can be connected to the SYSMAC C Series manufactured by OMRON via a host link unit as shown below.

- Applicable PLC units and host link units
< SYSMAC C Series >

A host link unit or a CPU equipped with an interface for host link is required.

For the setting of the host link unit, refer to the F940GOT Operation Manual offered separately.

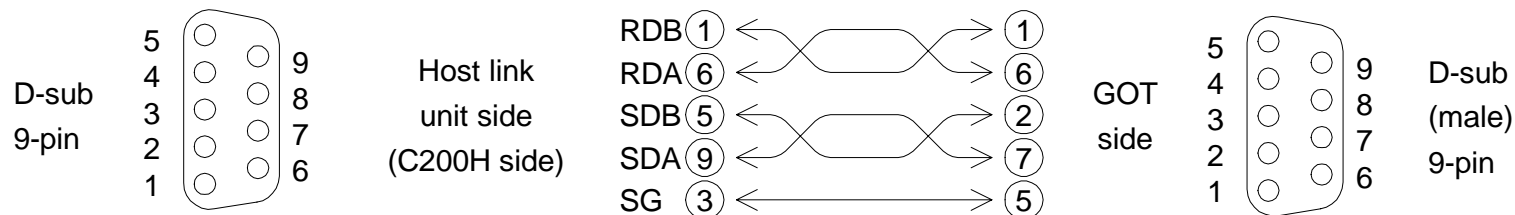
- System configuration



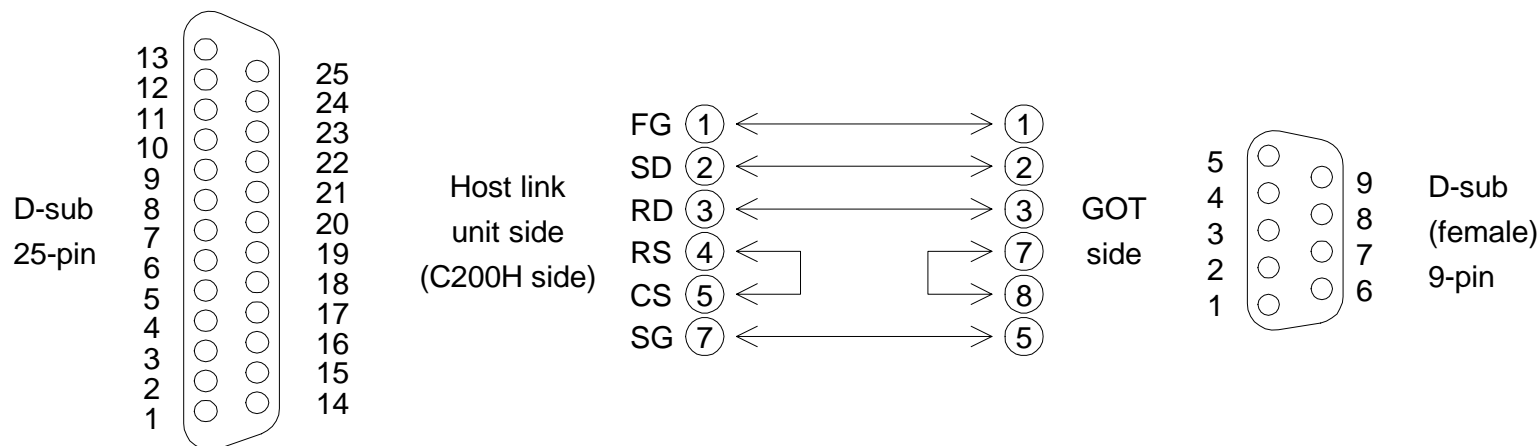
5.1 Connection diagram

- Connect the GOT to the host link unit (SYSMAC C Series) as shown below. For connection of a model not shown in the examples below, refer to the manual of the C Series link unit.

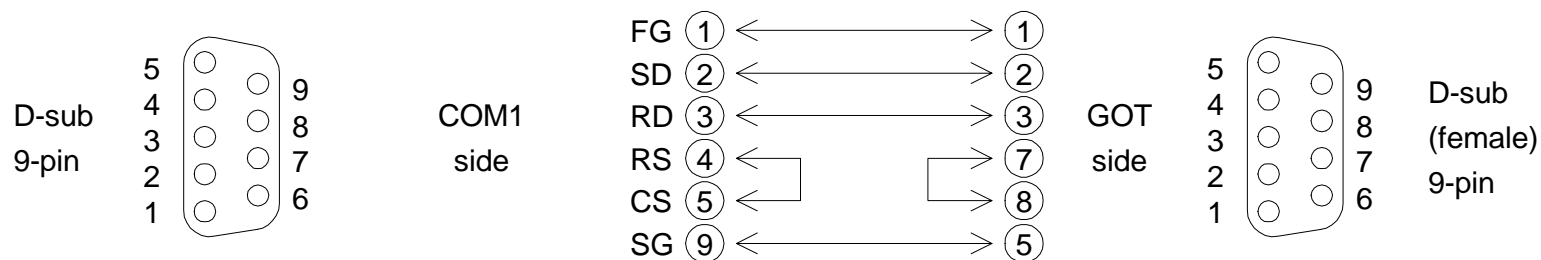
< For RS-422 communication > Example of connection to C200H-LK202-V1



< For RS-232C communication > Example of connection to C200H-LK201-V1



< For RS-232C communication >
 Example of connection to COM1 (in which RS-232C port is built in)



MEMO

6. Connection to FLEX-PC N Series

The GOT can be connected to the FLEX-PC N Series manufactured by FUJI Electric via a link unit shown below.

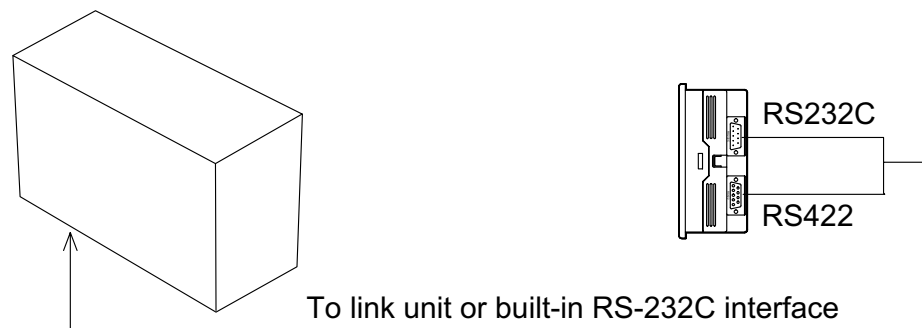
- Connection type
 - Link port connection (RS-422)
 - Link port connection (RS-232C)
 - CPU port connection (RS-232C)
- Select the connection type using the operation environment setting described in the next section or the screen creation software.

- Applicable PLC units and link units

< FLEX-PC N Series >

A link unit (general-purpose RS-232C/RS485 interface module) is required to be connected. Or a CPU in which an RS-232C interface is built in is required.

- System configuration

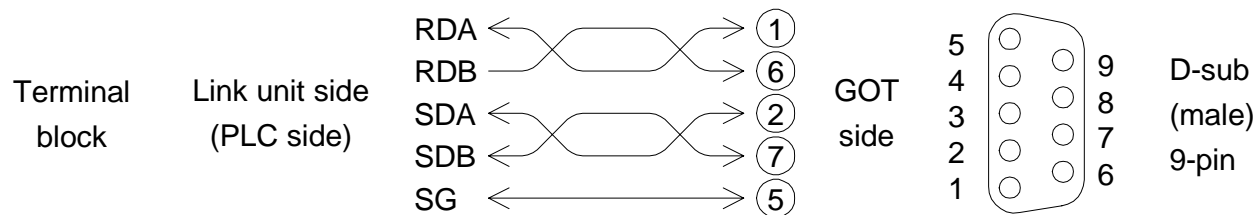


- Link unit
 - NB Series
NB-RS1-AC, NB-RS1-DC
 - NJ Series
NJ-RS2, NJ-RS4
 - NS Series
NS-RS1
 - CPU in which RS-232C interface is built in NJ-CPU-B16

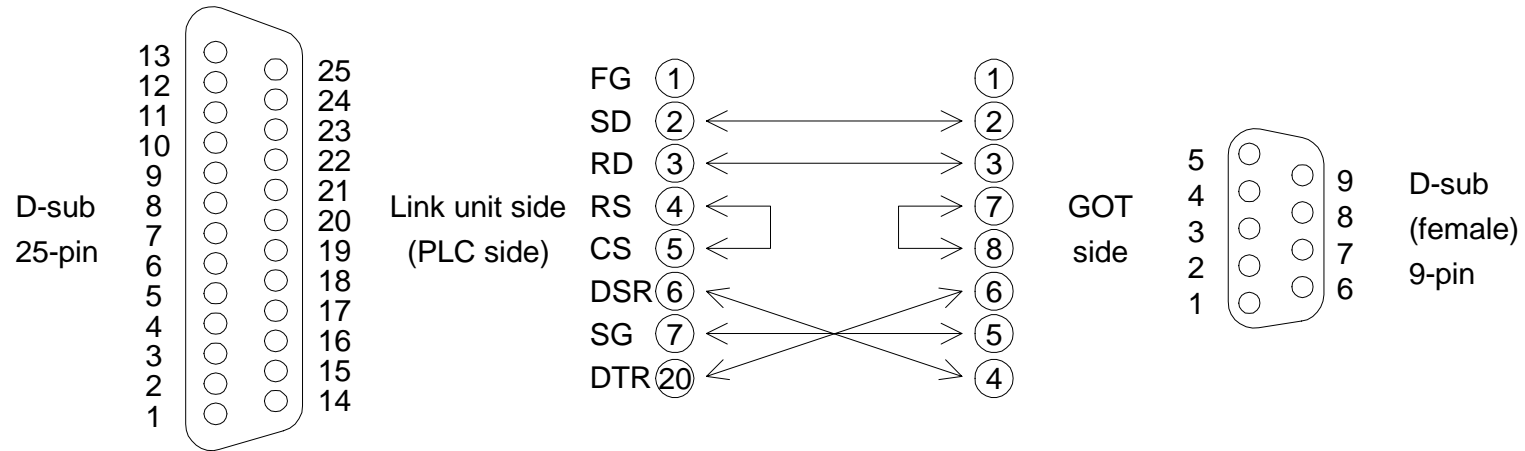
6.1 Connection diagram

Connect the GOT and the link unit (PLC) as shown below.

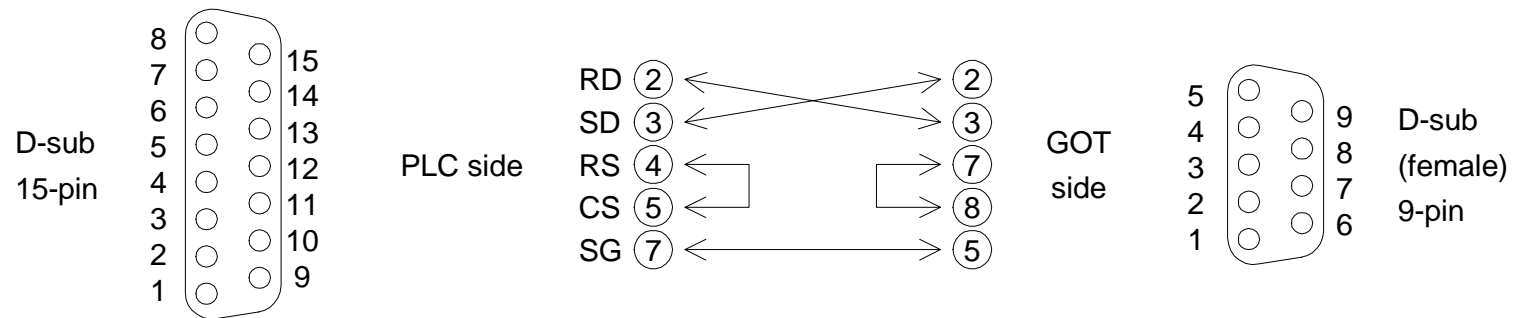
< For link port connection (RS-422) >



< For link port connection (RS-232C) >



< For connection of built-in RS-232C interface >



MEMO

7. Connection by general-purpose communication

The GOT can be connected to a general controller such as micro computer board. (The connected controller is hereafter referred to as "host (unit)".)

7.1 Outline

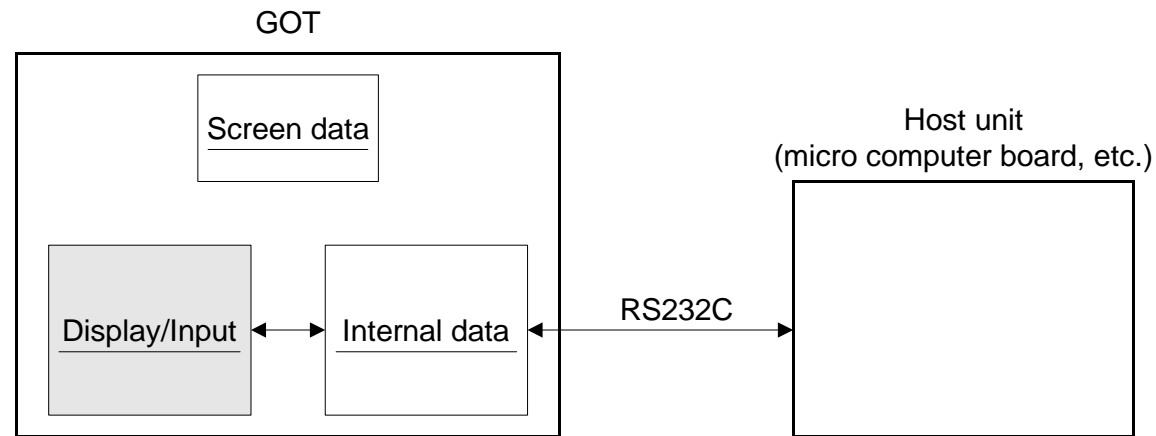
In general-purpose communication, the host unit is connected to the GOT via the RS-232C and functions as the parent station in communication. Inside the GOT, there is a data area to hold word data and bit data. The host unit can read and write the data area using communication commands.

The contents of display and control in the GOT are determined by the screen data created using the screen creation software in the personal computer. The screen data specifies the layout of objects displayed on the screen, and specifies actions to be performed by pressing of touch keys.

The GOT is equipped with the function to display the word data in the form of numbers and bar graphs, the function to access the data for changing the status of the bit data using switches, etc.

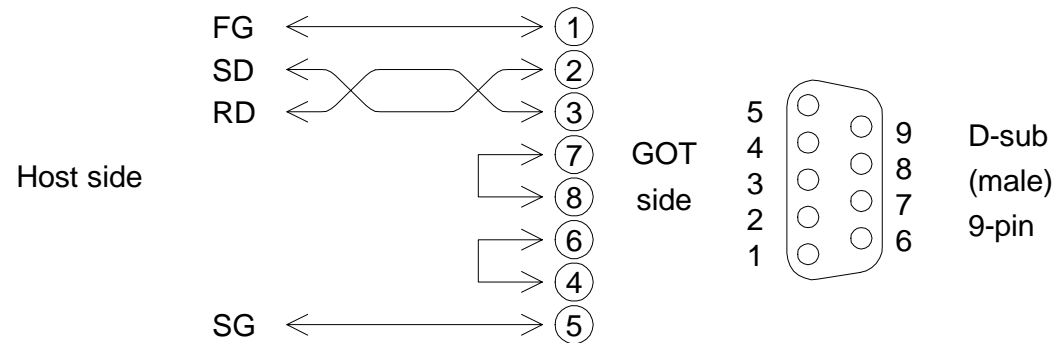
The target of access is the data area inside the GOT. The data location to be accessed is specified by the screen data.

Accordingly, to display the data stored in the host unit on the screen, the host unit should transfer the data to the data area inside the GOT using write commands. The transfer destination is a location specified by the screen data. The data change result by manipulation of keys can be transferred from the data area inside the GOT to the host unit if the host unit gives read commands. In general-purpose communication, interrupt codes can be sent as change triggers.



7.2 Connection diagram

Connect the GOT and the host unit as shown below.



* The control lines RTS, CTS, DTR and DSR are not used.

7.3 Communication setting

The setting related to communication can be performed using the screen creation software or the GOT main body.

To use general-purpose communication,

- Screen creation software: Set the connected personal computer to "General-Purpose Communication".
- GOT main body: Select "SET-UP MODE", "PLC SYSTEM" and "GENERAL-PURPOSE COMMUNICATION" in this order.

To set the baud rate, the data length, the stop bit length and the parity,

- Screen creation software: Select "Others", "System Settings" and "DU Serial Printer Settings"
- GOT main body: Select "SET-UP MODE" and "SERIAL PORT (RS-232C)" in this order.

Set each parameter to an either value shown below.

Baud rate	19,200 / 9,600 / 4,800 / 2,400 / 1,200 / 600 or 300 bps
Data length	8 or 7 bits
Stop bit length	1 or 2 bits
Parity	Even, odd or none